

BAXI



MAIN 5

SPARE PARTS CATALOGUE

- September 2016 -

HOW TO READ THE SPARE PARTS CATALOGUE

In the spare part catalogue, after the exploded diagrams, there are the components lists of the boilers; this is the meaning of the different columns:

Pos.	Identification number of the component in the exploded diagram of the boiler.
Description	Short description of the component.
Code	BAXI S.p.A. code of the component.
Tab. XX	XX is the exploded diagram number of the boiler taken into consideration.

From the 1st January 2012

From serial number	Date (year and week) identifying the beginning of production of a component (taken from the serial number of the boiler). e.g. 1205: year 2012 (1 identifies the decade 2010-2019; 2 identifies the year) – 5th week. If the box is empty, the component is in use from the beginning of production of the boiler.
To serial number	Date (year and week) identifying the end of production of a component (taken from the serial number of the boiler). e.g. 1235: year 2012 (1 identifies the decade 2010-2019; 2 identifies the year) – 35th week. If the box is empty, the component is still in use.
Interchangeable	It identifies the interchangeability between the new component and the old one. YES: components are interchangeable. NO: components are not interchangeable.

TABELLA COLLEGAMENTO CODICE CALDAIA - ESPLOSO TABLEAU CONNECTION CODEX CHAUDIERE - VUE ECLATEE BOILERS CONNECTION BOARD - EXPLODED VIEW

BOILER CODE	BOILER DESCRIPTION	EXPLODED REF.
CODICE CALDAIA	DESCRIZIONE CALDAIA	RIF. ESPLOSO
CODIGO CALDERA	DESCRIPCION CALDERA	REF. EXPLOSIONADO
CODE CHAUDIÈRE	DESCRIPTION CHAUDIÈRE	RÉF. EXPLOSÉE
711178001	MAIN5 14 F	Tab 487
711178101	MAIN5 18 F	Tab 487
710775002	MAIN5 24 F	Tab 487
710775001	MAIN5 24 F	Tab 481

MAIN5

09/08/2016

Pos	Code	Description code					To serial number	From serial number	Intercha ngeable:
			711178101 MAINS 18 F	711178001 MAINS 14 F	710775002 MAINS 24 F	710775001 MAINS 24 F			
2	710556300	LEFT PANEL ASSEMBLY	•	•	•	•			
3	710556400	RIGHT PANEL ASSEMBLY	•	•	•	•			
4	710611500	FRONTAL PANEL ASSEMBLY	•	•	•	•			
9	631760	FLUE RESTRICTOR MAIN5	•	•					
9	631950	FLUE RESTRICTOR MAIN5			•	•			
22	710365100	FAN 30W	•	•	•	•			
25	710808100	COMBUSTION CHAMBER ASSEMBLY	•	•	•	•			
27	710495300	REAR PANEL ASS.	•						
27	711249900	C FRAME MAIN5		•	•	•			
28	710495700	LATERAL INSULATING PANEL	•	•	•	•			
29	710495600	REAR INSULATING PANEL	•	•	•	•			
30	710391300	FRONTAL INSULATING PANEL	•	•	•	•			
32	710537600	HEAT EXCHANGER H2O/GAS	•	•	•	•			
33	5403130	O-RING 22 x 3	•	•	•	•	1311		
33	710963000	OR 21,5X3 EP70 TFL	•	•	•	•		1312	YES
34	5113650	PRIMARY EXCHANGER FIXING CLIP	•	•	•	•			
35	710471200	EXPANSION VESSEL 6L	•	•	•	•			
36	710472900	PIPE EXPANSION VESSEL	•						
36	711250900	PIPE EXPANSION VESSEL		•	•	•			
37	710795800	SEALED CHAMBER FRONT PANEL	•	•	•	•			
41	710516000	BURNER 11 ELEMENTS	•	•	•	•			
43	710807300	GAS RAMP 11 INJECTORS	•	•					
43	711176900	GAS RAMP 11 INJECTORS d 1,18			•	•			
44	5209150	INJECTOR D. 1,18 MM			•	•			
44	5214470	INJECTOR diameter 1,35 mm	•	•					
44	711368500	KIT TRANSF. G31 11X0,77			•	•			
44	711368600	KIT TRANSF. G31 11X0,85	•	•					
48	710733000	BURNER TRAY	•	•	•	•			
49	5409520	HOSE ADAPTER CAP	•	•	•	•			
59	710696300	IGNITION CABLE L=350	•	•	•	•	1536		
61	5404920	INSULATION BOOT-ELECTRODES	•	•	•	•	1536		
63	710523300	ELECTRODE	•	•	•	•	1341		
63	711333500	ELECTRODE	•	•	•	•	1536	1342	YES
63	711404900	ELECTRODE	•	•	•	•		1537	YES
70	710538600	PIPE PUMP/EXCHANGER	•	•	•	•			
72	710648600	PUMP WILO 4.1.M WHITE GOOD	•						
72	710820200	PUMP WILO 5M WHITE GOOD		•	•	•			
73	710139500	AUTOMATIC AIR VENT WI	•	•	•	•			
80	710422600	HYDRAULIC INLET/MONOMETER ASS.	•						
80	711251100	FILLING LOOP ASSEMBLY MAIN5		•	•	•			
86	710504000	INLET CORPS/MANOMETER		•	•	•	1408		

MAIN5

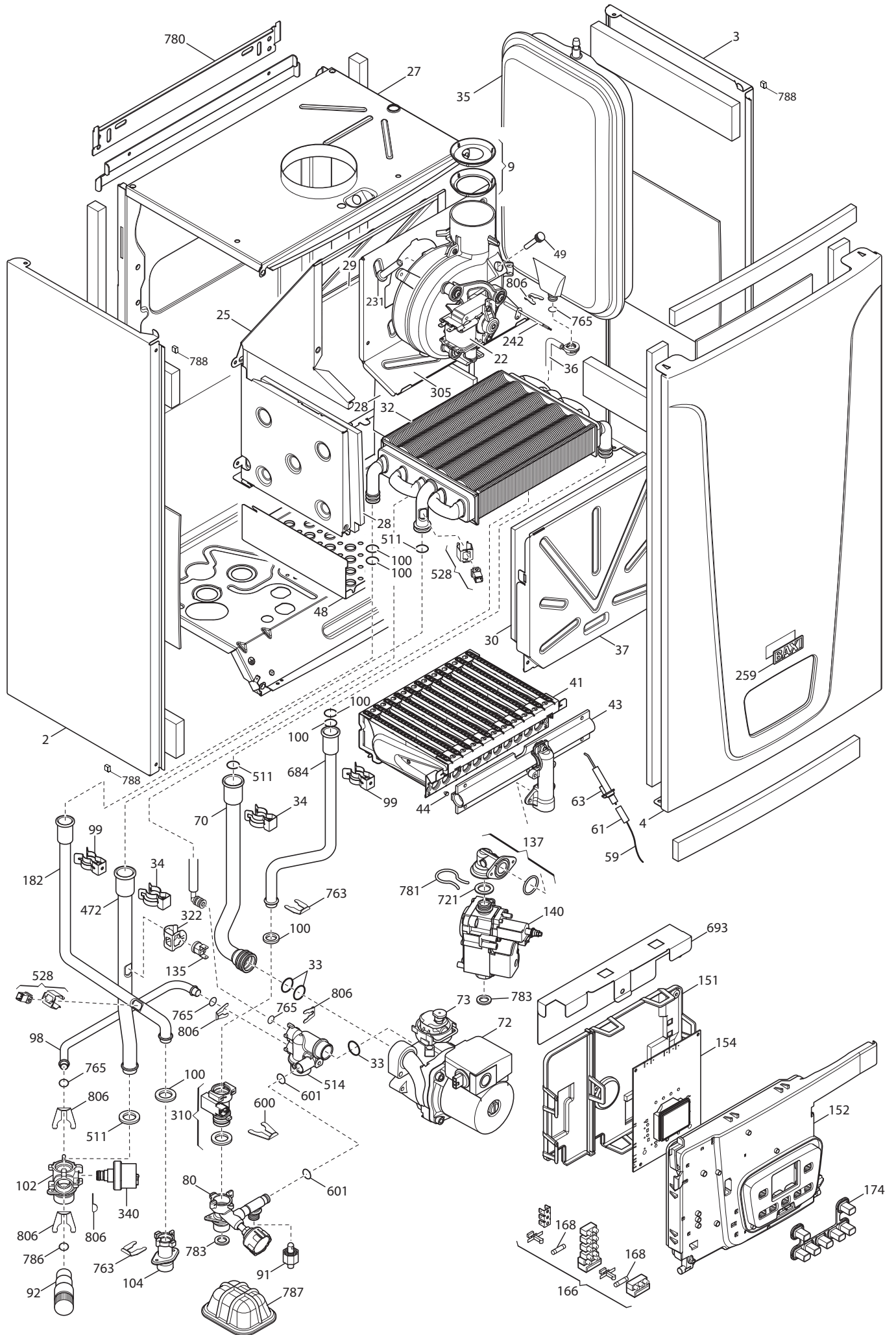
09/08/2016

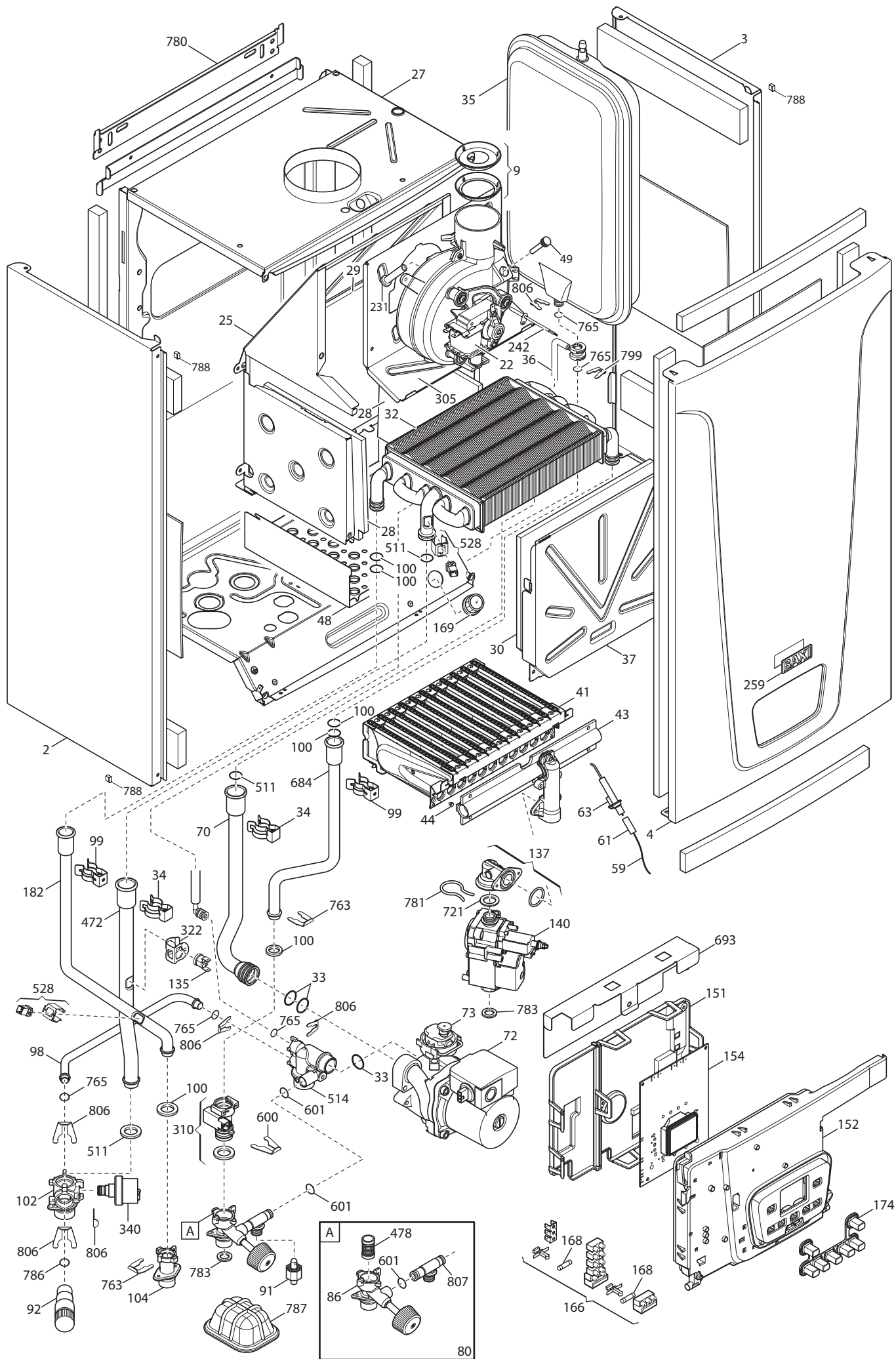
Pos	Code	Description code					To serial number	From serial number	Intercha ngeable:
			71178101 MAINS 18 F	71178001 MAINS 14 F	710775002 MAINS 24 F	710775001 MAINS 24 F			
86	711666100	FILLING TAP ASSEMBLY MAIN5	•	•	•		1409	YES	
91	710473500	DRAINING TAP ASSEMBLY	•	•	•				
92	710071200	SAFETY VALVE 3 bar NOVASFER	•	•	•				
98	710415000	BY PASS PIPE ASSY	•	•	•				
99	710679800	FIXING CLIP	•	•	•				
100	5402170	O-RING 13,94X2,62 EPDM	•	•	•		1443		
100	711296900	O-RING 13,94X2,62 TFL	•	•	•		1444	YES	
102	710860100	MR-BY PASS ASSEMBLY	•	•	•				
104	710508300	SANITARY OUTLET CONNECTION	•	•	•				
135	9951610	LIMIT THERMOSTAT 105°C	•	•	•				
137	710585800	CONNECTION GAS VALVE/OR	•	•	•				
140	710660400	GAS VALVE VK4105M	•	•	•			NOTE	
151	710654600	BOX COVER	•	•	•				
152	710626400	CONTROL PANEL MAIN5	•	•	•		1336		
152	710779300	PRINTED CONTROL PANEL MAIN5	•	•	•		1337	YES	
154	710562000	PCB HON. MAIN5	•	•	•		1324		
154	711377300	PCB MAIN5 ASSEMBLY	•	•	•		1339	1325 YES	
154	711476200	PCB HON. ECO5/MAIN5	•	•	•		1447	1340 YES	
154	721824700	PCB HON. ECO5/MAIN5	•	•	•		1620	1448 YES	
154	766077600	PCB HON. ECO5/MAIN5	•	•	•		1638	1621 YES	
154	766487600	PCB ECO5/MAIN5	•	•	•		1639	YES	
166	5688430	TERM.BOARD/DOUBLE FUSE HOLDER	•	•	•				
168	9950580	FUSE	•	•	•				
169	711252300	PRESSURE GAUGE MAIN5	•	•	•				
174	5414010	KEYBOARD ECO4 BAXI	•	•	•				
182	710538700	OUTLET DHW BOILER PIPE	•	•	•				
231	710452800	FLUE INTAKE	•	•	•				
242	710743700	FLUE SENSOR/CABLE	•	•	•				
259	710419300	BRAND BAXI	•	•	•				
305	710495200	FAN BRACKET	•	•	•				
310	710421000	FLOW SWITCH ON/OFF ELTEK	•	•	•				
322	710538300	CLIP TH	•	•	•				
340	710371000	PRESSURE H2O SENSOR	•	•	•				
472	710538500	HEATING FLOW CONNECTING PIPE	•	•	•				
478	710503300	SANITARY FILTER	•	•	•				
511	5404600	O.R. 17,86x2,62	•	•	•				
514	710504600	PUMP FILTER CONNEX.	•	•	•				
528	710666500	NTC SENSOR D14	•	•	•				
600	710045400	CLIP FLAT d.18	•	•	•				
601	710107800	O-RING 8,73x1,78	•	•	•				
684	710538800	INLET DHW PIPE	•	•	•				
693	710783700	PRINTED CNTR. PANEL PROTECTION	•	•	•				
721	710660300	OR d.19,3X3,6 HNBR	•	•	•				

MAIN5

09/08/2016

Pos	Code	Description code	711178101 MAIN5 18 F	711178001 MAIN5 14 F	710775002 MAIN5 24 F	710775001 MAIN5 24 F	To serial number	From serial number	Intercha ngeable:
763	710428300	CLIP FLAT d.14	•	•	•	•			
765	710045700	O-RING d.9,19 X 2,62	•	•	•	•			
780	710633100	UPPER SUPPORT	•	•	•	•			
781	710539600	CLIP GAS PIPE	•	•	•	•			
783	710039500	HYDRAULIC GROUP GASKET	•	•	•	•			
786	710156600	SAFETY VALVE SEAL	•	•	•	•			
787	710453100	SEAL FILLING TAP	•	•	•	•			
788	710176000	COMBUSTION CHAMBER GASKET C	•	•	•	•			
799	710654100	SPRING FIXING D.9		•	•	•			
806	710110600	CLIP d.10 BITRON	•	•	•	•			
807	710473600	DRAINING TAP CORPS		•	•	•			
999	8414540	CABLE ROOM TH	•	•	•	•			
999	8414620	POWER CABLE	•	•	•	•			
999	710672100	LOW VOLT.WIRING 12 PIN	•	•	•	•			
999	710672200	LOW VOLT. WIRING 7 PIN	•	•	•	•			
999	710696000	HIGH VOLTAGE WIRING 7P.	•						
999	711022600	GAS VALVE CABLE MAIN5	•	•	•	•			
999	711275600	HIGH VOLTAGE WIRING 7P.		•	•	•			





BAXI

BAXI S.p.A.
Via Trozzetti, 20
36061 BASSANO DEL GRAPPA (VI)
ITALY
Tel. +390424517111
Telefax +390424517379
E-mail. service@baxi.it