

BAXI



Luna Duo-tec

SPARE PARTS CATALOGUE

- June 2014 -

HOW TO READ THE SPARE PARTS CATALOGUE

In the spare part catalogue, after the exploded diagrams, there are the components lists of the boilers; this is the meaning of the different columns:

Pos. Identification number of the component in the exploded diagram of the boiler.

Description Short description of the component.

Code BAXI S.p.A. code of the component.

Tab. XX XX is the exploded diagram number of the boiler taken into consideration.

Until 31th December 2011

From serial number Date (year and week) identifying the beginning of production of a component (taken from the serial number of the boiler).

e.g. **B005: year 2000** (B identifies the decade 2000-2009; 0 identifies the year) – **5th week.**

If the box is empty, the component is in use from the beginning of production of the boiler.

To serial number Date (year and week) identifying the end of production of a component (taken from the serial number of the boiler).

e.g. **B012: year 2000** (B identifies the decade 2000-2009; 0 identifies the year) – **12th week.**

If the box is empty, the component is still in use.

Interchangeable It identifies the interchangeability between the new component and the old one.

YES: components are interchangeable.

NO: components are not interchangeable.

FROM 1st January 2102

From serial number Date (year and week) identifying the beginning of production of a component (taken from the serial number of the boiler).

e.g. **1201: year 2012** (1 identifies the decade 2010-2019; 2 identifies the year) – **1th week.**

If the box is empty, the component is in use from the beginning of production of the boiler.

To serial number Date (year and week) identifying the end of production of a component (taken from the serial number of the boiler).

e.g. **1225: year 2012** (1 identifies the decade 2010-2019; 2 identifies the year) – **25th week.**

If the box is empty, the component is still in use.

Interchangeable It identifies the interchangeability between the new component and the old one.

YES: components are interchangeable.

NO: components are not interchangeable.

TABELLA COLLEGAMENTO CODICE CALDAIA - ESPLOSO
TABLEAU CONNECTION CODEX CHAUDIERE - VUE ECLATEE
BOILERS CONNECTION BOARD - EXPLODED VIEW

BOILER CODE	BOILER DESCRIPTION	EXPLODED REF.
CODICE CALDAIA	DESCRIZIONE CALDAIA	RIF. ESPLOSO
CODIGO CALDERA	DESCRIPCION CALDERA	REF. EXPLOSIONADO
CODE CHAUDIÈRE	DESCRIPTION CHAUDIÈRE	RÉF. EXPLOSÉE
710285202/3	LUNA DUO-TEC 1.12 GA	Tab 429
710285302/3	LUNA DUO-TEC 1.24 GA	Tab 429
710568401/2	LUNA DUO-TEC 1.28 GA	Tab 429
710193104	LUNA DUO-TEC 24 GA	Tab 428
710193102/3	LUNA DUO-TEC 24 GA	Tab 428
710193204	LUNA DUO-TEC 28 GA	Tab 428
710193202/3	LUNA DUO-TEC 28 GA	Tab 428
710193304	LUNA DUO-TEC 33 GA	Tab 428
710193302/3	LUNA DUO-TEC 33 GA	Tab 428
710287104	LUNA DUO-TEC 40 GA	Tab 428
710287102/3	LUNA DUO-TEC 40 GA	Tab 428

Luna Duo-tec

04/08/2015

Pos	Code	Description code	710287104 40 GA	710287102/3 40 GA	710193304 33 GA	710193302/3 33 GA	710193304 28 GA	710193302/3 28 GA	710193104 24 GA	710193102/3 24 GA	710568401/2 1.28 GA	710285302/3 1.24 GA	710285302/3 1.12 GA	To serial number	From serial number	Intercha ngeable:
80	711607300	HYDR.INL.GR.WITH OUT BYPASS10L			•											
81	620340	FILTER-TRASDUC GROUP -100078-		•												
81	621090	FILTER TRANSD.RIDUCT.8L ASSEMB					•	•								
81	624410	FILTER ASS.WITH RED.10L-100291			•											
81	711633400	FILTER TRANSD.RIDUCT.8L ASSEMB					•									
81	711633500	FILTER ASS.WITH RED.10L-100291			•											
87	710185800	PUMP CONNECTING ELEMENT WILO					•	•								
87	711652200	PUMP CONNECTING ELEMENT/OR					•	•								
90	620890	FILLING GR.WITH TURBINE 120074					•	•	•	•						
91	5652030	DRAINING TAP	•	•	•	•	•	•	•	•						
92	9951170	SAFETY VALVE 3 BAR	•	•	•	•	•	•								
92	710109400	HYDRAULIC SAFETY VALVE 3 BAR					•	•								
98	5672770	BY-PASS PIPE ASSEMBLY	•	•	•											
99	8380850	FIXING CLIP	•	•	•	•	•	•	•	•						
102	5683540	3 WAY VALVE/MB GROUP LUNA3	•	•	•											
102	5696040	3 WAY VALVE ASS.W.OUT BY-PASS					•	•	•					1240		
102	711107400	3 WAY VALVE ASS.W.OUT BY-PASS LUN					•	•	•						1241	YES
102	711605800	3 WAY VALVE ASS.						•	•							
113	617100	BY-PASS GR.	•	•	•											
119	605760	HYDRAULIC VENTURI ASSEMBLY	•	•	•											
120	600750	SPACER ASSEMBLY	•	•	•											
120	627880	DHW PADDLE GROUP -10.0397-					•	•	•					1320		
120	711356900	3 WAY VALVE CARTRIDGE						•	•							
120	711356900	3 WAY VALVE CARTRIDGE					•	•	•						1321	YES
122	5405370	O-RING					•	•	•	•	•	•	•			
131	8435400	NTC SENSOR					•	•	•	•	•	•	•			
132	5402830	WASHER - SENSOR SEALING					•	•	•	•	•	•	•			
134	710192500	INJECTOR B&P 4,4mm					•	•	•							

Luna Duo-tec

04/08/2015

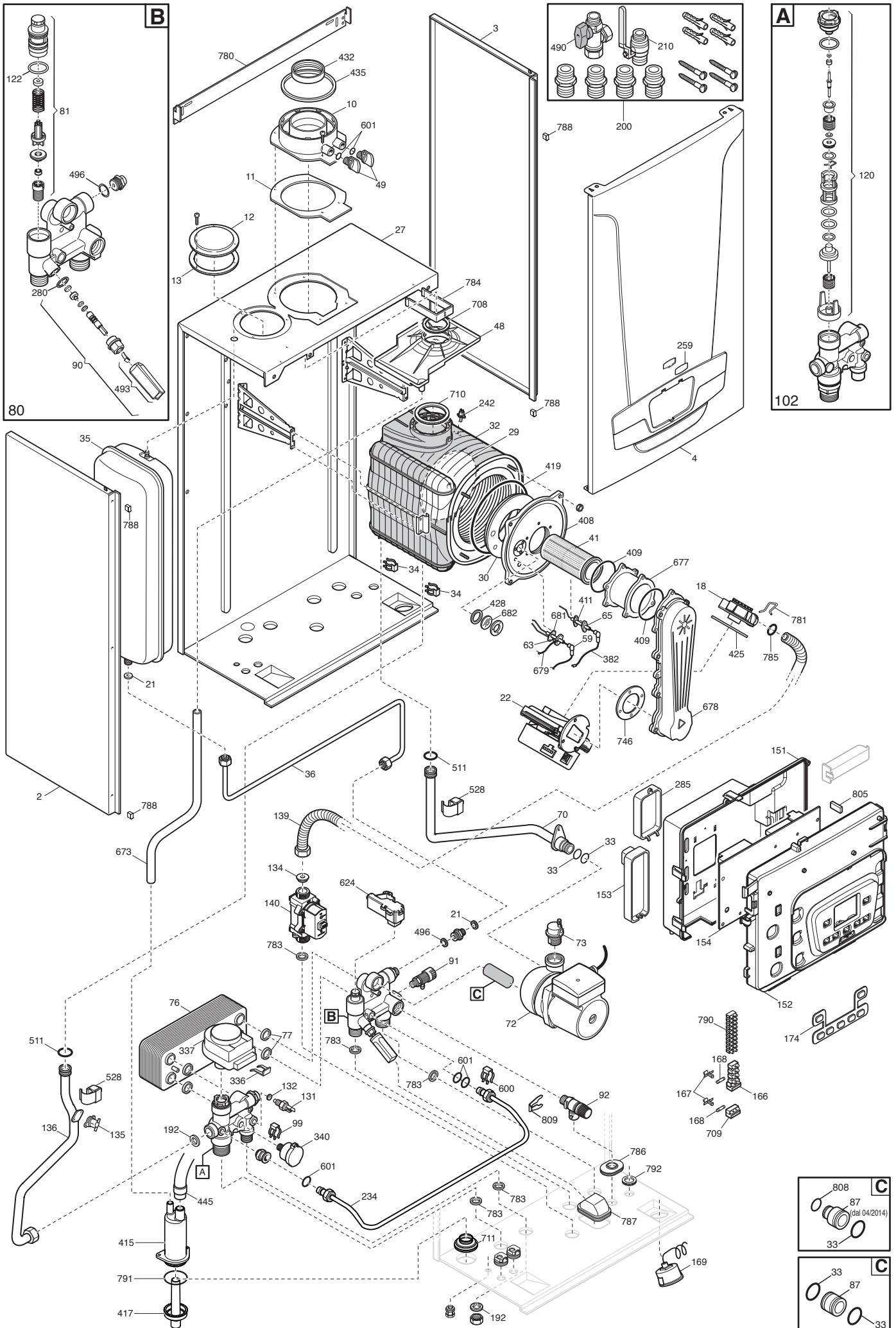
Pos	Code	Description code	710285702/3 1.12 GA	710285302/3 1.24 GA	710285302/3 1.28 GA	710568401/2 24 GA	710193102/3 24 GA	710193104 24 GA	710193302/3 28 GA	710193304 28 GA	710193302/3 33 GA	710193304 33 GA	710287102/3 40 GA	710287104 40 GA														To serial number	From serial number	Intercha ngeable:					
134	710285400	GAS NOZZLE B&P 3mm	•																																
134	710458300	INJECTOR B&P D.4,6mm			•			•	•																										
134	710458500	INJECTOR D. 5,8 mm											•	•																					
134	710490500	INJECTOR B&P D.4,9mm									•	•																							
135	9950760	THERMOSTAT - LIMIT	•	•	•	•	•	•	•	•	•	•	•	•																					
136	710156700	FLOW PIPE											•	•																					
136	710157700	FLOW PIPE	•	•	•	•	•	•	•	•	•	•																							
139	710070700	FLEXIBLE GAS PIPE 6E ELEMENTS											•	•																					
139	710519400	GAS FLEXIBLE TUBE 4/5 E	•	•	•	•	•	•	•	•	•	•																							
140	710089600	GAS VALVE B&P SGV100	•	•	•	•	•	•	•	•	•	•	•	•																					
151	710018500	CONTROL PANEL COVER	•	•	•	•	•	•	•	•	•	•	•	•																					
152	710092100	PANEL PLATE/DISPLAY ASSEMBLY	•	•	•	•	•	•	•	•	•	•	•	•																					
153	710018200	TERMINAL BLOCK COVER	•	•	•	•	•	•	•	•	•	•	•	•																					
154	710731400	PCB B&P HAGC03 DUOTEC	•	•	•	•	•	•	•	•	•	•	•	•													1519								
154	722233100	PCB B&P HAGC03 BX01	•	•	•	•	•	•	•	•	•	•	•	•															1520		YES				
166	8421590	TERMINAL BLOCK	•	•	•	•	•	•	•	•	•	•	•	•																					
167	5405340	FUSE HOLDER	•	•	•	•	•	•	•	•	•	•	•	•																					
168	9950580	FUSE	•	•	•	•	•	•	•	•	•	•	•	•																					
169	710554900	MANOMETER	•	•	•	•	•	•	•	•	•	•	•	•																					
174	710126300	7 PUSH BOTTON PANEL B&P	•	•	•	•	•	•	•	•	•	•	•	•																					
191	5408970	WASHER - SEALING G1/2	•	•	•																														
192	5404650	SEALING WASHER G 3/4	•	•	•	•	•	•	•	•	•	•	•	•																					
200	710129200	BOILER CONNECTION SET					•	•	•	•	•	•	•	•																					
200	710268400	SYSTEM FIXING KIT IT	•	•	•																														
210	9950830	GAS TAP	•	•	•	•	•	•	•	•	•	•	•	•																					
234	5689310	FILLING PIPE ASS.LUNA3 CANADA					•		•		•		•															1240							
234	711103700	FILLING PIPE ASSEMBLY LUNA3/LUNA4						•		•		•		•																					
234	711103700	FILLING PIPE ASSEMBLY LUNA3/LUNA4				•			•		•		•																	1241		YES			

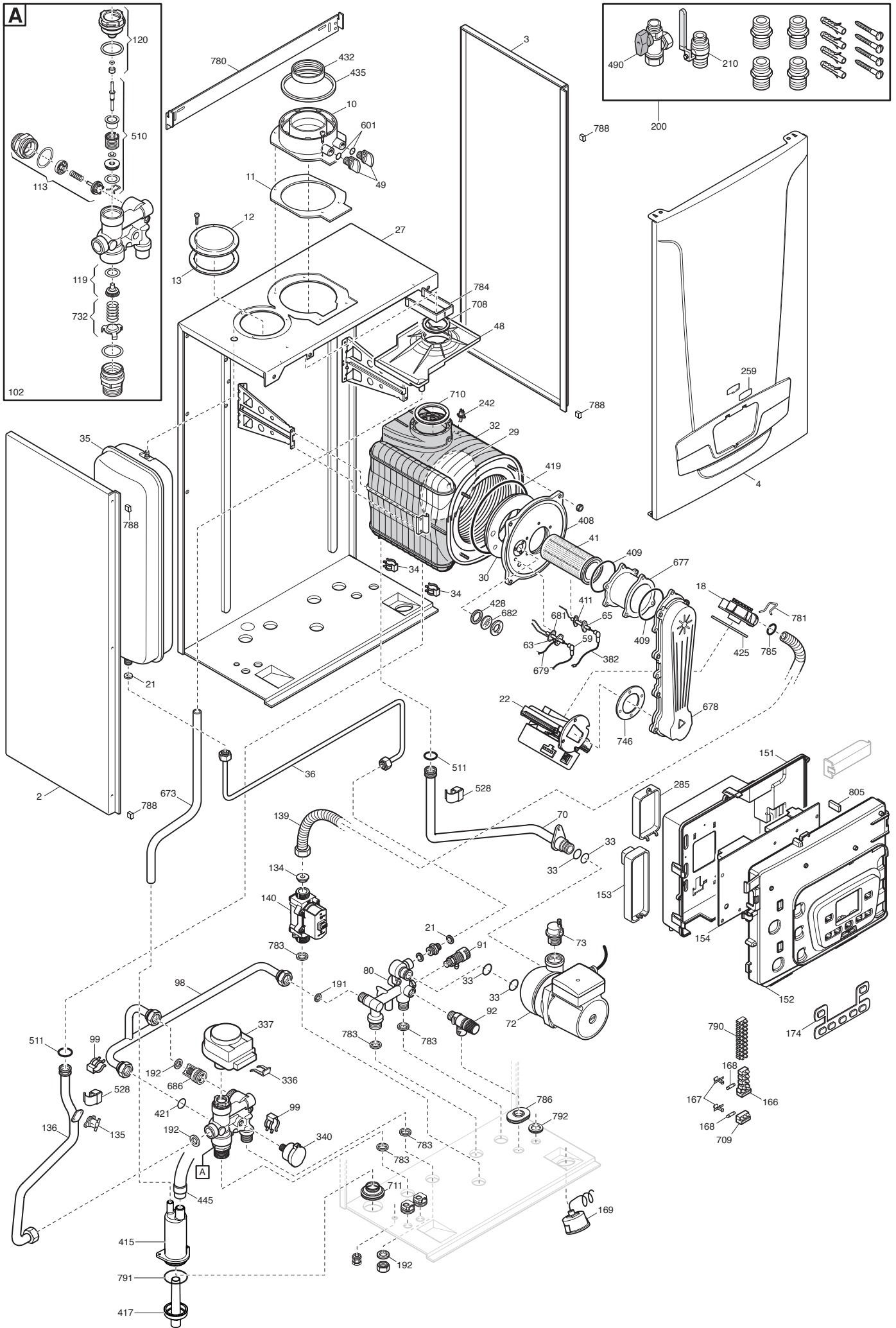
Pos	Code	Description code	710285702/3	710285702/3	710285702/3	710285702/3	710285702/3	710285702/3	710285702/3	710285702/3	710285702/3	710285702/3	To serial number	From serial number	Intercha ngeable:
			1.12 GA	1.24 GA	1.28 GA	24 GA	24 GA	28 GA	28 GA	33 GA	33 GA	40 GA			
242	8435270	NTC SENSOR	•	•	•	•	•	•	•	•	•	•			
259	710419300	BRAND BAXI	•	•	•	•	•	•	•	•	•	•			
280	5207730	GASKET 14,2X18X1,5				•	•	•	•	•	•	•			
285	710083600	COVER CLIP-IN	•	•	•	•	•	•	•	•	•	•			
336	8380680	CLIP-RETAINING	•	•	•	•	•	•	•	•	•	•			
337	5694580	3 WAY VALVE MOTOR	•	•	•	•	•	•	•	•	•	•			
340	710109100	PRESSURE SENSOR	•	•	•	•	•	•	•	•	•	•			
382	710127500	CABLE DETECTION ELECTRODE	•	•	•	•	•	•	•	•	•	•			
408	5212900	COMB.CHAMBER UPPER COVER	•	•	•	•	•	•	•	•	•	•	1418		
408	711571000	COMB.CHAMBER UPPER COVER	•	•	•	•	•	•	•	•	•	•		1419	YES
409	5413530	GASKET BURNER	•	•	•	•	•	•	•	•	•	•	1418		
409	721543100	BURNER GASKET ASS.	•	•	•	•	•	•	•	•	•	•		1419	YES
411	710185200	FLAME SENSING ELEC.GASKET	•	•	•	•	•	•	•	•	•	•			
415	710016700	SIPHON BODY	•	•	•	•	•	•	•	•	•	•			
417	710522300	PLUG SIPHON	•	•	•	•	•	•	•	•	•	•			
419	5411000	COMB.CHAMBER GASKET	•	•	•	•	•	•	•	•	•	•			
421	5408270	O-RING 11,91 X 2,62 NBR	•	•	•										
425	710042400	VENTURI GASKET	•	•	•	•	•	•	•	•	•	•			
428	5409290	GASKET	•	•	•	•	•	•	•	•	•	•			
432	5410420	WASHER DIA 60 OUTLET BEND	•	•	•	•	•	•	•	•	•	•			
435	5407550	WASHER DIA100 OUTER ADAPT SEAL	•	•	•	•	•	•	•	•	•	•			
445	710066100	PIPE EXCHANGER/SYPHON	•	•	•	•	•	•	•	•	•	•			
490	710227300	SANITARY TAP G1/2	•	•	•	•	•	•	•	•	•	•			
493	620880	FILLING KNOB ASS.L=50-10.0318-				•	•	•	•	•	•	•			
496	400020	O-RING				•	•	•	•	•	•	•			
510	600760	DHW PADDLE ASSEMBLY	•	•	•										
511	5404600	O.R. 17,86x2,62	•	•	•	•	•	•	•	•	•	•			
528	710439300	SENSOR TODS	•	•	•	•	•	•	•	•	•	•			

Luna Duo-tec

04/08/2015

Pos	Code	Description code	710287104 40 GA	710287102/3 40 GA	710193304 33 GA	710193302/3 33 GA	710193204 28 GA	710193302/3 28 GA	710193104 24 GA	710193102/3 24 GA	710568401/2 1.28 GA	710285302/3 1.24 GA	710285302/3 1.12 GA	To serial number	From serial number	Intercha ngeable:
808	721311400	O-RING 18X2	•		•		•		•							
809	711615000	SPRING	•		•		•		•							
999	8414540	CABLE ROOM TH	•	•	•	•	•	•	•	•	•	•	•			
999	8414620	POWER CABLE	•	•	•	•	•	•	•	•	•	•	•			
999	710062300	CABLE PWM FAN	•	•	•	•	•	•	•	•	•	•	•			
999	710071700	CABLE NTC FLUE	•	•	•	•	•	•	•	•	•	•	•			
999	710079700	CABLE NTC ADDED	•	•	•	•	•	•	•	•	•	•	•			
999	710103100	CABLE GROUND FRAME	•	•	•	•	•	•	•	•	•	•	•			
999	710126600	CABLE EXTERNAL SENSOR BOILER				•	•	•	•	•	•	•	•			
999	710126700	CABLE TERM.BLOCK ROOM THERMOST	•	•	•	•	•	•	•	•	•	•	•			
999	710126800	CABLE SAFETY THERMOSTAT	•	•	•	•	•	•	•	•	•	•	•			
999	710127000	CABLE POWER SUPPLY PCB B&P	•	•	•	•	•	•	•	•	•	•	•			
999	710190300	WIRING HARNESS 3WAY VALVE/PUMP	•	•	•	•	•	•	•	•	•	•	•			
999	710285900	CABLE NTC TANK/EXTERNAL SENSOR	•	•	•											
999	710382300	CABLE REMOTE CONTROL	•	•	•	•	•	•	•	•	•	•	•			
999	710428900	CABLE LOW POWER SUPP.ONLY HEAT	•	•	•											
999	710512100	WIRING HARNESS GAS VALVE B&P	•	•	•	•	•	•	•	•	•	•	•			
999	710514400	WIRING HARNESS LOW VOLTAGE				•	•	•	•	•	•	•	•			





BAXI

BAXI S.p.A.
Via Trozzetti, 20
36061 BASSANO DEL GRAPPA (VI)
ITALY
Tel. +390424517111
Telefax +390424517379
E-mail. service@baxi.it